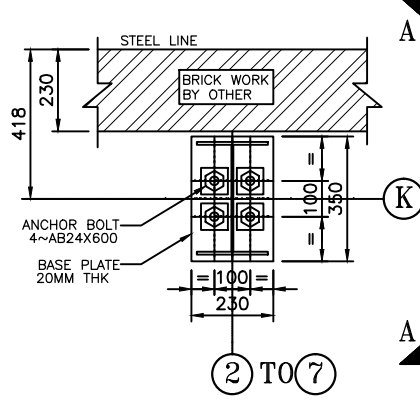
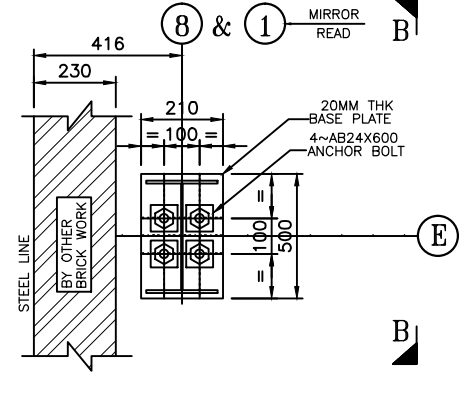


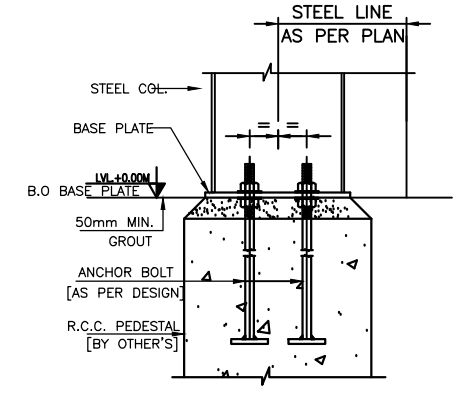
DETAIL-A



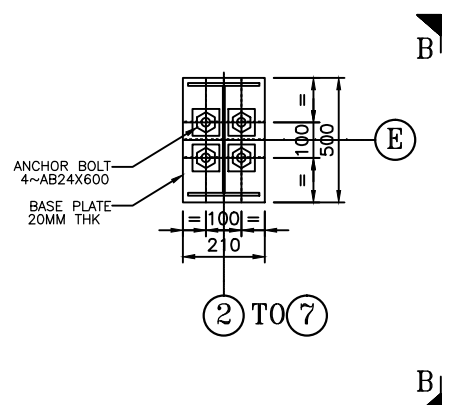
DETAIL-B



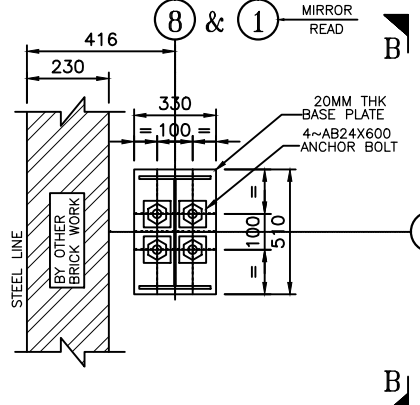
DETAIL-C



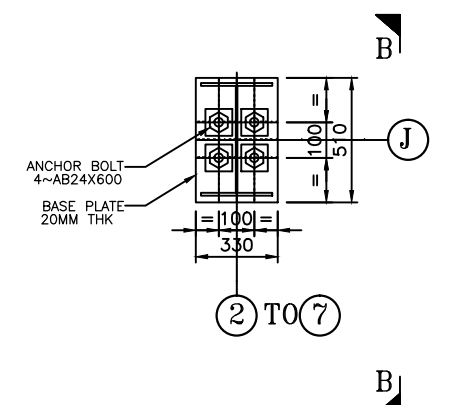
SECTION A-A



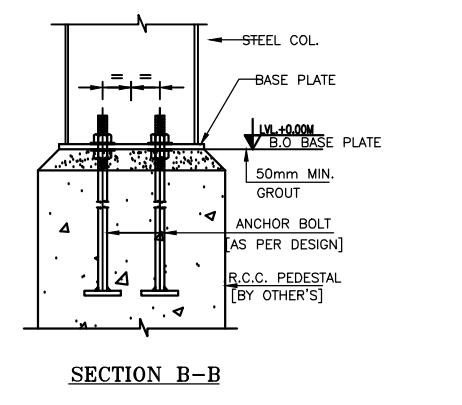
DETAIL-D



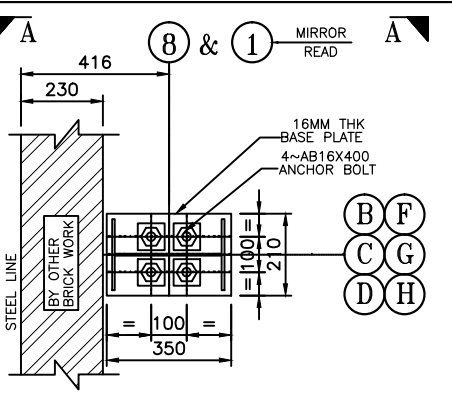
DETAIL-E



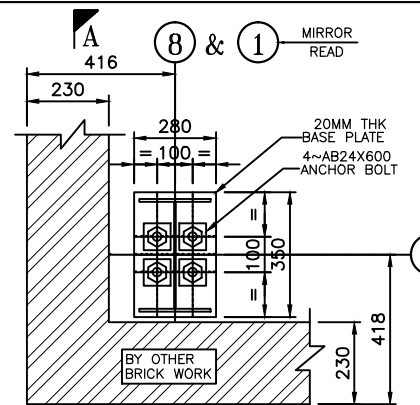
DETAIL-F



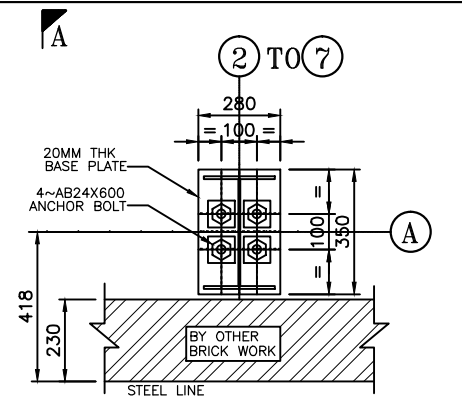
SECTION B-B



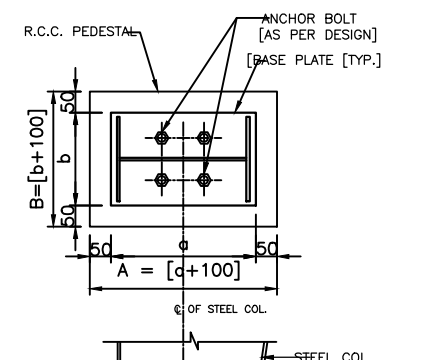
DETAIL-G



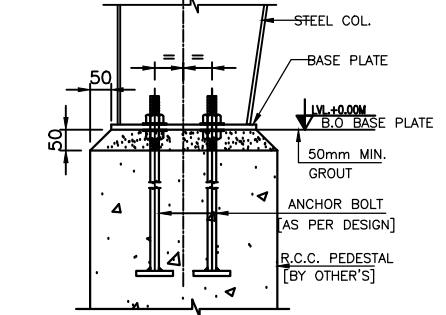
DETAIL-H



DETAIL-J



SAMPLE DETAIL OF MINIMUM PEDESTAL REQUIREMENT



DRAWING CROSS REFERENCE

Drawing No:	Rev.	Description

IMPORTANT NOTES:

ANCHOR BOLT LOCATIONS HAVE TO BE VERIFIED & CERTIFIED BY COMPETENT AUTHORITY FOR ACCURACY AT SITE.

LEVELS AS MARKED IN DETAILS TO BE CONFIRMED BY CLIENT/CONSULTANT & TO BE CROSS-CHECKED AT SITE BEFORE ERECTION.

GRADE OF CONCRETE SHALL BE OF MINIMUM M25 U.N.O.

SIZES OF THE PEDESTAL SHOULD BE 50mm. MORE ON EITHER SIDE OF DIMENSION OF BASE PLATE

LEGENDS:

- LSW = LEFT SIDE WALL
- RSW = RIGHT SIDE WALL
- FEW = FRONT END WALL
- BEW = BACK END WALL

Rev.	Description	Name	Checked	Date

REVISIONS

Project: PRE-ENGINEERED BUILDING FOR AT ****

Client: _____

Architect: _____

Consultant: _____

Drawing Title: DETAILS

Drawn by:	N.S	Scale:	N.T.S.	Date:	09.04.2016
Checked by:	V.C	Project No:		Drawing No:	AB-002
Approved by:				Revision:	RO

T-THREADED LENGTH

BOLT DESCRIPTION	USAGE	DIA.	H	h	R	T
AB 16x400	END FRAME/ MAIN FRAME	16	400	64	48	100
AB 24x750	END FRAME/ MAIN FRAME	24	750	96	72	125